

THIS DRAWING IS UNPUBLISHED.

RELEASED FOR PUBLICATION

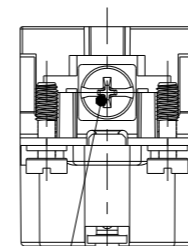
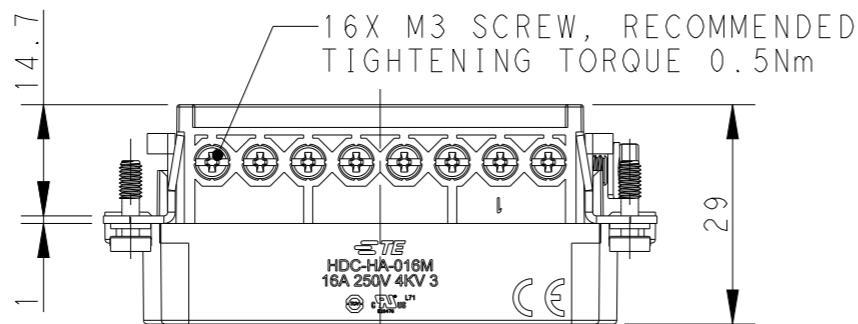
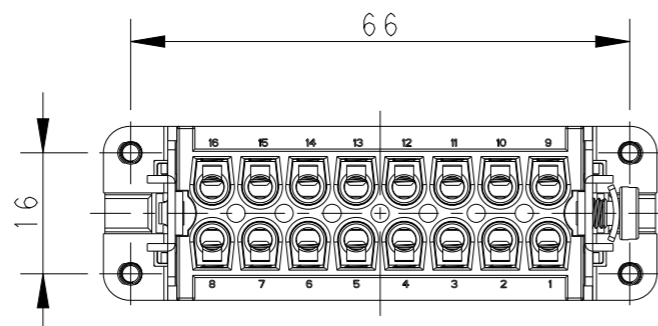
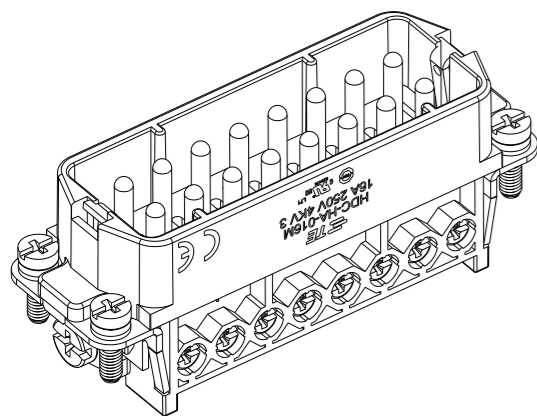
20

© COPYRIGHT 20 BY -

ALL RIGHTS RESERVED.

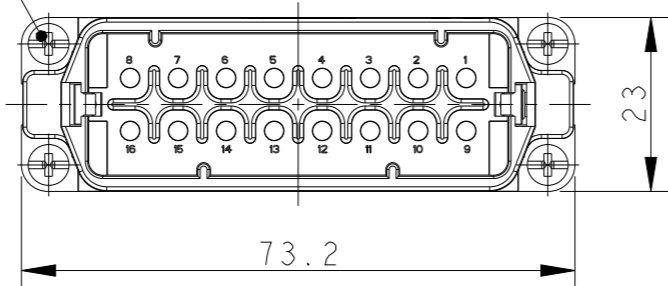
REVISIONS

P	LTR	DESCRIPTION	DATE	DWN	APVD
B		ECR-15-013750	17SEP2015	DW	CW
B1		ECR-15-016224	05NOV2015	DW	CW
B2		ECR-18-008588	09JUL2018	KW	CW
C		ECR-20-016101	09JUN2021	BS	CW



M4 SCREW
RECOMMENDED
TIGHTENING TORQUE 1.2Nm

4X M3 SCREW, RECOMMENDED
TIGHTENING TORQUE 0.5Nm



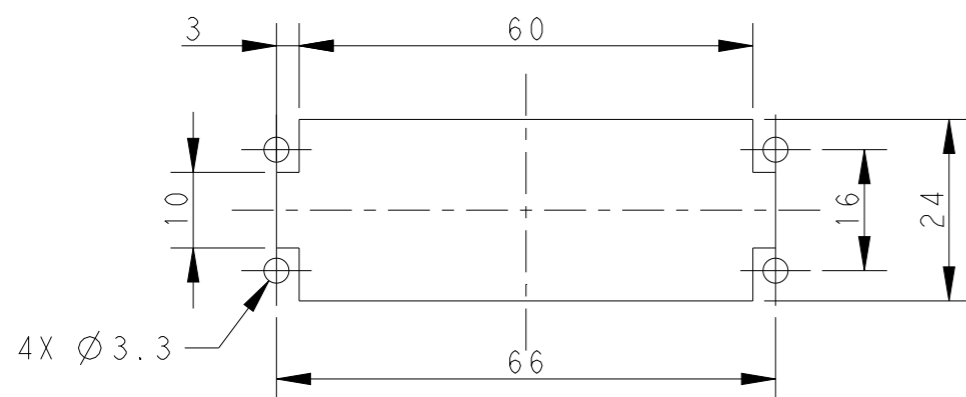
NOTES:

- TECHNICAL CHARACTERISTICS:
 INSULATION MATERIAL: PC
 RATED VOLTAGE: 250 V
 RATED CURRENT: 16 A
 INSULATION RESISTANCE: >=400MΩ
 RATED IMPULSE VOLTAGE: 4 KV
 POLLUTION DEGREE: 3
 FLAMMABILITY: UL94V-0
 MATING CYCLES: 500 CYCLES
 WIRE RANGE: 0.5-2.5 mm² (20-14 AWG)
 CONTACT FINISH: SILVER PLATED
 CONTACT TYPE: SCREW CONTACT

注释:

- 技术参数:
 绝缘材料: PC
 额定电压: 250V
 额定电流: 16A
 绝缘电阻: >=400MΩ
 额定脉冲电压: 4 KV
 污染等级: 3
 阻燃等级: UL94V-0
 插拔次数: 500 次
 接线范围: 0.5-2.5 mm² (20-14 AWG)
 端子表面处理: 镀银
 接线类型: 螺丝连接

PANEL CUT FOR INSERTS FOR USE
WITHOUT HOODS/ HOUSINGS



T2010162101-000	HA-016-M	HA-016 MALE INSERT HA-016公插
PART NUMBER 料号	PART DESCRIPTION 描述	

THIS DRAWING IS A CONTROLLED DOCUMENT.

DIMENSIONS:	TOLERANCES UNLESS OTHERWISE SPECIFIED:
mm	
	0 PLC ±-
	1 PLC ±-
	2 PLC ±-
	3 PLC ±-
	4 PLC ±-
	ANGLES ±-
MATERIAL	FINISH
-	-
-	-

DWN	10NOV2014
David Wang	
CHK	10NOV2014
Chris Wang	
APVD	10NOV2014
Xiang Xu	
PRODUCT SPEC	108-137045
APPLICATION SPEC	114-137045
WEIGHT	-
Customer Drawing	

TE Connectivity		NAME		RESTRICTED TO
		HA-016-M		
SIZE	CAGE CODE	DRAWING NO	-	
A3	00779	©-T2010162101000	-	
SCALE		SHEET	OF	REV
1:1		1	1	C