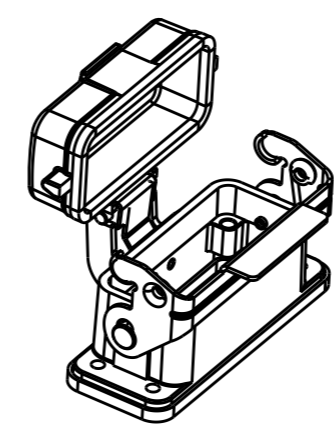
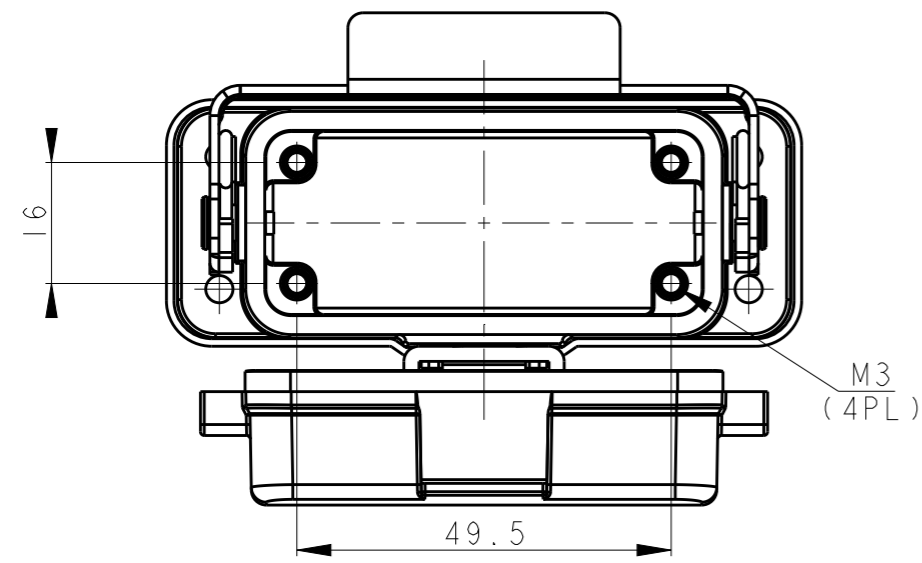
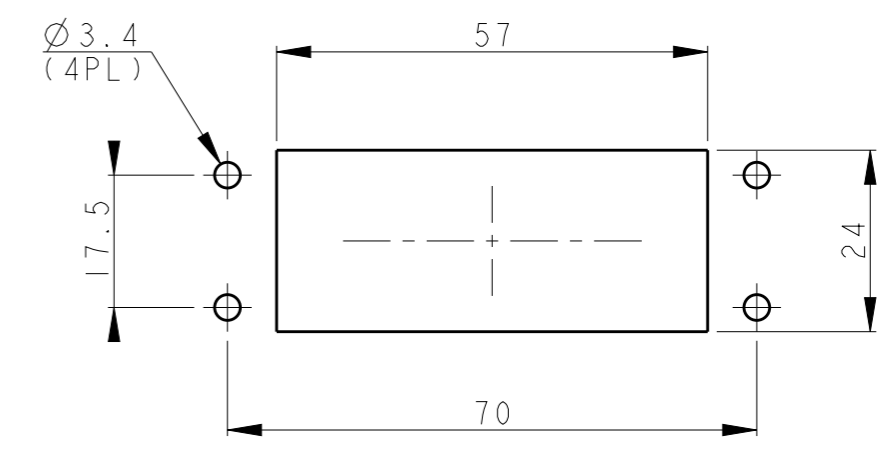
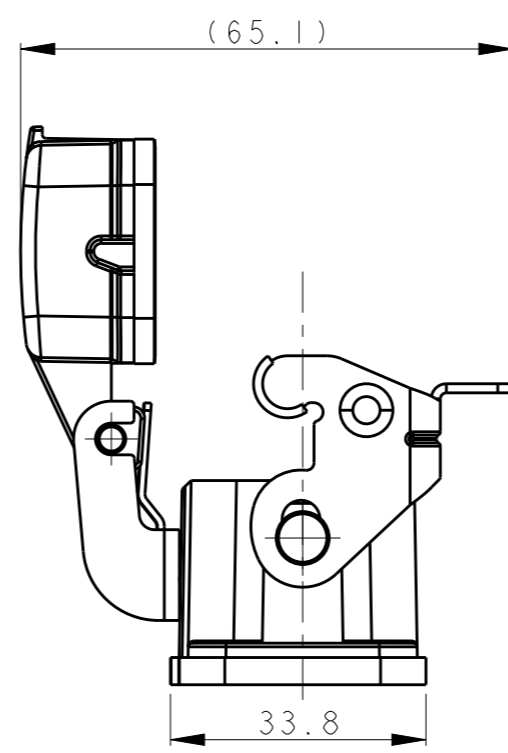


THIS DRAWING IS UNPUBLISHED. RELEASED FOR PUBLICATION 20  
 © COPYRIGHT 20 BY - ALL RIGHTS RESERVED.

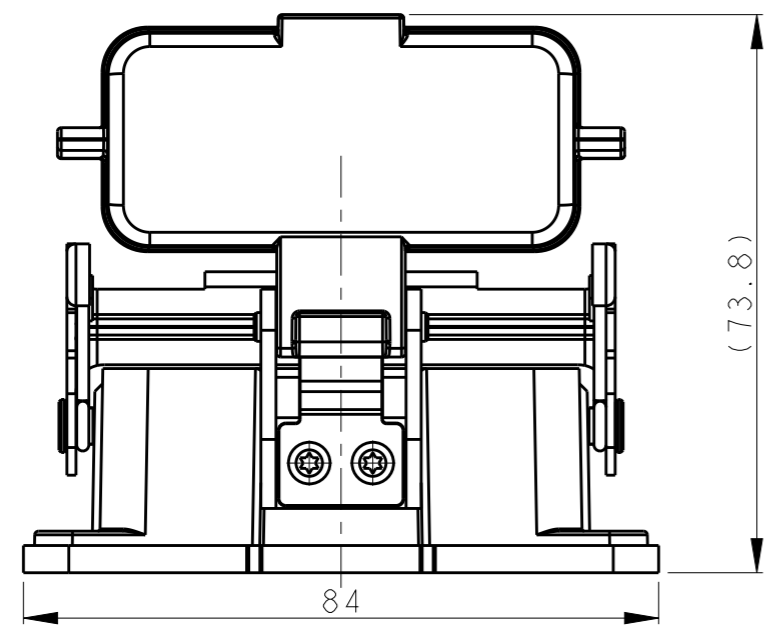
REVISIONS					
P	LTR	DESCRIPTION	DATE	DWN	APVD
	A	INITIAL RELEASE	24APR2015	DL	CW



SCALE 1:2

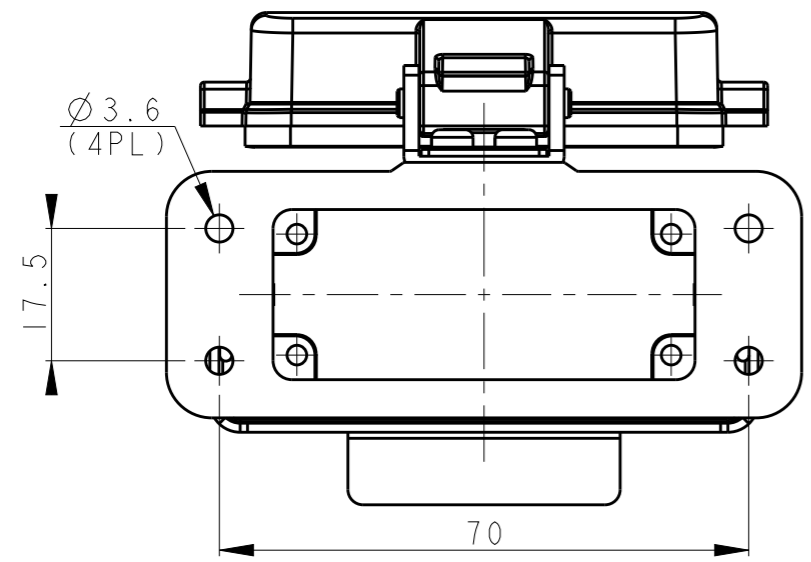


PANNEL CUT OUT



NOTES:  
 1. TECHNICAL CHARACTERISTICS:  
 BODY MATERIAL: DIE CAST ALUMINIUM ALLOY  
 SURFACE TREATMENT: POWDER-COATED, GRAY  
 OPERATION TEMPERATURE: -40-+125°C  
 DEGREE OF PROTECTION: IP65 (MATED)

注释:  
 1. 技术参数:  
 主体材料: 铝合金  
 表面处理: 粉末喷涂, 灰色  
 工作温度: -40-+125°C  
 防护等级: IP65(配合)



T1519100000-000	H10A-ADM
ASSEMBLY PART NUMBER	ASSEMBLY PART DESCRIPTION

THIS DRAWING IS A CONTROLLED DOCUMENT.		DWN 24APR2015 DAVID LI	TE Connectivity	
DIMENSIONS: mm		CHK 24APR2015 CHRIS WANG		
TOLERANCES UNLESS OTHERWISE SPECIFIED:		APVD 24APR2015 XU XIANG	NAME H10A-ADM	
0 PLC ±-		PRODUCT SPEC 108-137010	SIZE A3	
1 PLC ±-		APPLICATION SPEC 114-137010	CAGE CODE -	DRAWING NO C-T1519100000000
2 PLC ±-		WEIGHT -	RESTRICTED TO -	
3 PLC ±-		Customer Drawing	SCALE 1:1	SHEET 1
4 PLC ±-			OF 1	REV A
ANGLES ±-				
FINISH				